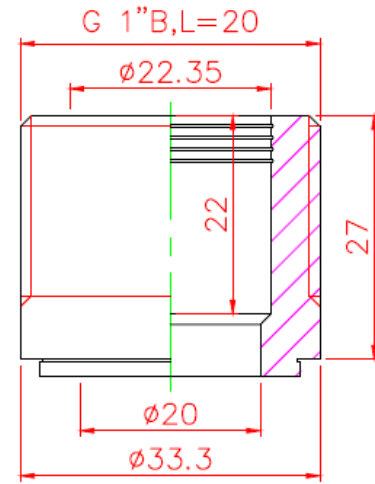
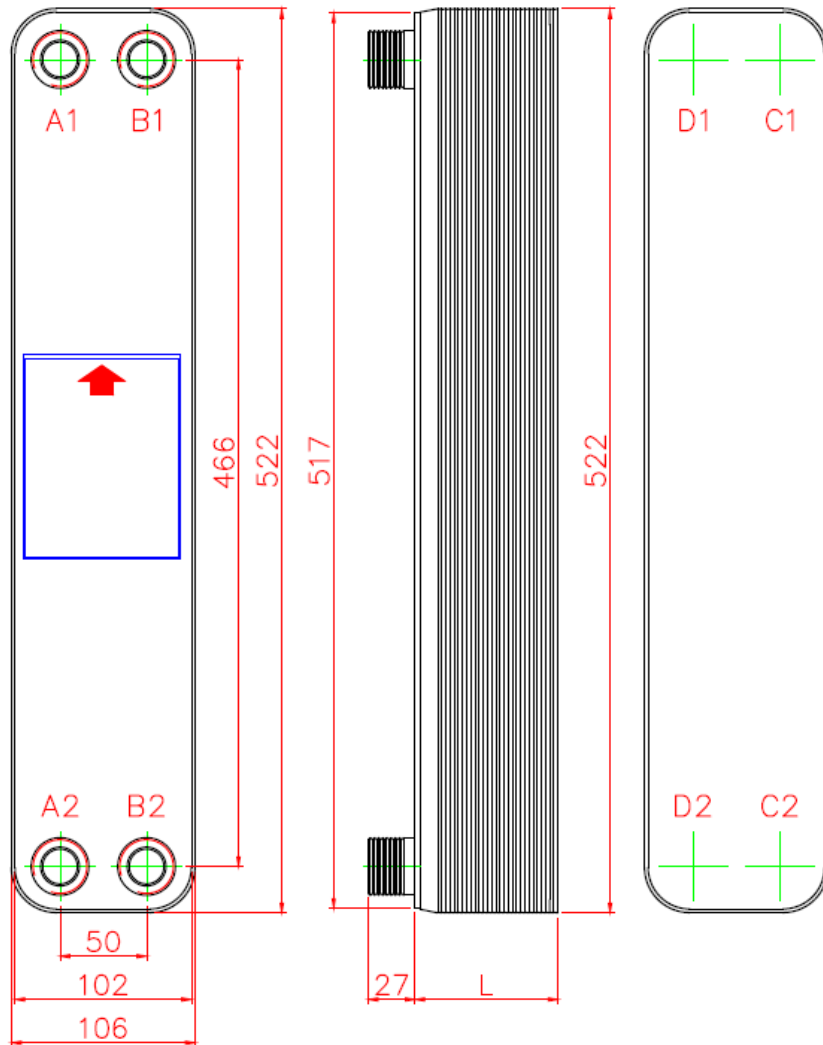
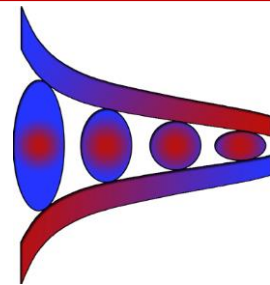


A1, A2 Maximum Working Pressure: 45 bar  
 B1, B2 Maximum Working Pressure: 30 bar



A1, A2, B1, B2

Max. Druck	4,5 MPa
Prüfdruck	6,75 MPa
L in mm	$10,0 + 1,85 * N$
Gewicht in kg	$3,19 + 0,154 * N$
Temp.	-196 °C - 225°C
Plattenmaterial	AISI 316L
Lot	99,9 % Cu



**EWT-BC4-50**